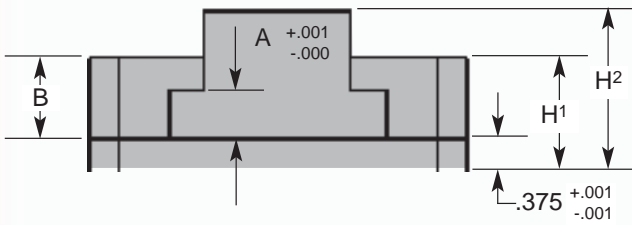
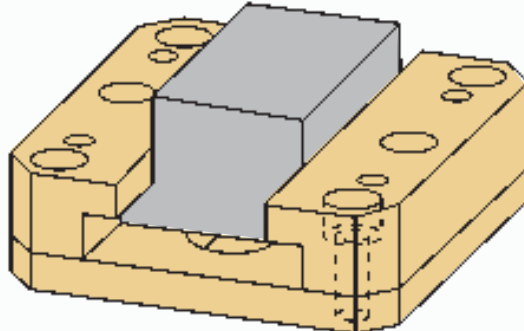
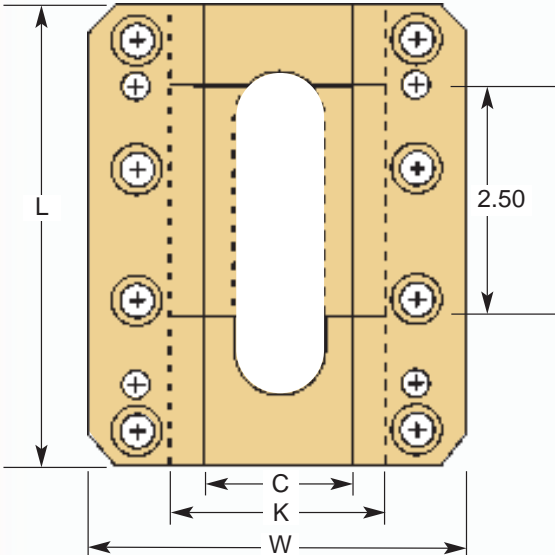
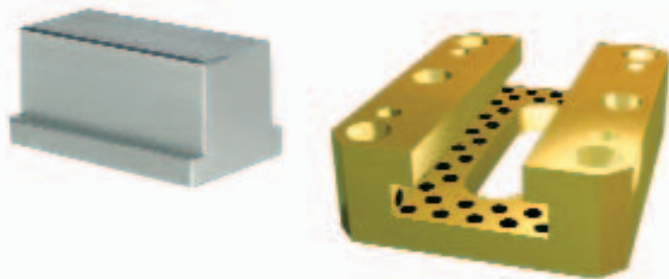


Self-Lubricating Gib Assemblies



- The new Gib Assembly includes four components:
2 Legs
1 Base Plate
1 Optional T-Slide
- The L-Gibs are provided with screw holes and are spot drilled for dowels
- The base plate includes thru holes to allow for easy assembly in pre-machined pockets
- The new Gib Assembly is a proven performer in a wide variety of applications including lifter slides in molds
- For hole location and size data see pg E-7

GIB ASSEMBLY With T-SLIDE	GIB ASSEMBLY Without T-SLIDE	L	W	H ¹	A	C	K	B	H ²
2GA16GTS	2GA16GT	2.00	2.62	1.12	.312	1.12	1.50	.75	1.62
2GA24GTS	2GA24GT	3.00							
2GA32GTS	2GA32GT	4.00							
3GA24GTS	3GA24GT	3.00	3.12	1.12	.380	1.12	1.62	.75	1.62
3GA32GTS	3GA32GT	4.00							
3GA40GTS	3GA40GT	5.00							
4GA24GTS	4GA24GT	3.00	4.12	1.25	.500	1.62	2.36	.88	1.75
4GA32GTS	4GA32GT	4.00							
4GA40GTS	4GA40GT	5.00							
4GA48GTS	4GA48GT	6.00	4.62	1.62	.750	1.62	2.62	1.25	2.12
6GA32GTS	6GA32GT	4.00							
6GA40GTS	6GA40GT	5.00							
6GA48GTS	6GA48GT	6.00							